

Hash Functions — MD5 and SHA1

Orr Dunkelman

Computer Science Department

14 March, 2012



Outline

- 1 The MD5 Hash Function
- 2 The SHA-1 Hash Function

The MD5 Hash Function

- ▶ A successor to MD4, designed by Rivest in 1992 (RFC 1321).
- ▶ Takes messages of size up to 2^{64} bits, and generates a digest of size 128 bits.
- ▶ Uses the Merkle-Damgård mode of iteration and a compression function (512-bit message block, 128-bit chaining value).
- ▶ The compression function is made in a Davies-Meyer mode (transformation of a block cipher into a compression function).

The MD5 Hash Function (cont.)

- ▶ To hash a message M the following steps are performed:
 - 1 M is padded with '1' as many 0's as needed (up to 512) and the original length of M encoded in 64 bits, such that the length of the padded message $pad(M)$ is divisible by 512.
 - 2 $pad(M)$ is divided into ℓ blocks of 512 bits, i.e., $pad(M) = m_1, m_2, \dots, m_\ell$.
 - 3 The 128-bit chaining value h_0 is initialized.
 - 4 For $i = 1, 2, \dots, \ell$, $h_i = H(h_{i-1}, m_i)$ (the compression function is applied).
 - 5 The output is h_ℓ

The MD5 IV

- ▶ The internal state (chaining value) of MD5, is treated as four words of 32-bit each: A, B, C, D .
- ▶ The initial value h_0 is:

$$A = 67452301_x$$

$$B = \text{EFCDAB89}_x$$

$$C = 98BADCFE_x$$

$$D = 10325476_x$$

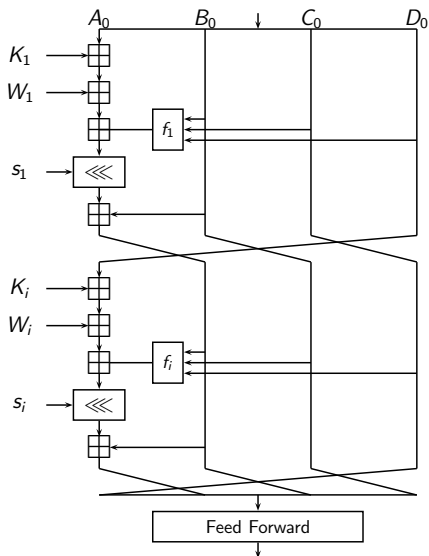
(this initial value is given in a little-endian manner)

The MD5 Compression Function

- ▶ Let $h_{i-1} = (A_0, B_0, C_0, D_0)$.
- ▶ Let the message block be $M_i = (W_0, W_1, \dots, W_{15})$
- ▶ For $i = 0, 1, \dots, 63$:
 - 1 $D_{i+1} \leftarrow C_i$
 - 2 $C_{i+1} \leftarrow B_i$
 - 3 $B_{i+1} \leftarrow B_i + (A_i + F_i(B_i, C_i, D_i) + K_i + W_{g(i)}) \lll s_i$
 - 4 $A_{i+1} \leftarrow D_i$
- ▶ $h_i \leftarrow (A_0 + A_{64}, B_0 + B_{64}, C_0 + C_{64}, D_0 + D_{64})$.

All additions are modulo 2^{32} , and \lll stands for rotation to the left.

The MD5 Compression Function



The MD5 Compression Function (cont.)

- ▶ Each round, a different message word is used, a different round constant is used, and a different function and rotations:

$$0 \leq t \leq 15: \quad f_t(X, Y, Z) = XY \vee (\neg X)Z \quad g(t) = t$$

$$16 \leq t \leq 31: \quad f_t(X, Y, Z) = XY \vee (\neg Z)X \quad g(t) = (5 \cdot t + 1) \bmod 16$$

$$32 \leq t \leq 47: \quad f_t(X, Y, Z) = X \oplus Y \oplus Z \quad g(t) = (3 \cdot t) \bmod 16$$

$$48 \leq t \leq 63: \quad f_t(X, Y, Z) = Y \oplus (X \vee \neg Z) \quad g(t) = (7 \cdot t) \bmod 16$$

The set of constants K_i is based on sin:

$$K_i = \lfloor |\sin(i + 1)| \cdot 2^{32} \rfloor$$

The MD5 Compression Function (cont.)

The rotation constants (s_i) are

Rotation Constants

7	12	17	22	7	12	17	22	7	12	17	22	7	12	17	22
5	9	14	20	5	9	14	20	5	9	14	20	5	9	14	20
4	11	16	23	4	11	16	23	4	11	16	23	4	11	16	23
6	10	15	21	6	10	15	21	6	10	15	21	6	10	15	21

The SHA-1 Hash Function

- ▶ Designed by the NSA, following the structure of MD4 and MD5.
- ▶ The first standard was SHA (now called SHA-0), first published in 1993.
- ▶ Shortly after, it was later changed slightly to SHA-1, due to some unknown weakness found by the NSA.
- ▶ Today, the SHA family contains four more hash functions (the SHA-2 family), and in 2012, NIST is expected to select SHA-3.

The SHA-1 Hash Function (cont.)

- ▶ SHA-1 is a Merkle-Damgård hash function:
 - 1 Padding:** Given an m -bit message, a single bit “1” is appended as the $m + 1$ th bit and then $(448 - (m + 1)) \bmod 512$ (between 0 and 511) zero bits are appended. As a result, the message becomes 64-bit short of being a multiple of 512 bits long.
 - 2 Merkle-Damgård Strengthening** Append the length: A 64-bit representation of the original length of m is appended, making the result a multiple of 512 bits long.
 - 3 Division into Blocks** The result is divided into 512-bit blocks, denoted by M_1, M_2, \dots, M_ℓ .

The SHA-1 Hash Function (cont.)

The internal state of SHA-1 is composed of five 32-bit words A , B , C , D and E , used to keep the 160-bit chaining value h_i .

- ▶ **Initialization:** The initial value (h_0) is (in hexadecimal)

$$A = 67452301_x$$

$$B = \text{EFC DAB89}_x$$

$$C = 98\text{BADCFE}_x$$

$$D = 10325476_x$$

$$E = \text{C3D2E1F0}_x.$$

- ▶ **Compression:** For each block, the compression function $h_i = H(h_{i-1}, M_i)$ is applied on the previous value of $h_{i-1} = (A, B, C, D, E)$ and the message block.
- ▶ **Output:** The hash value is the 160-bit value $h_\ell = (A, B, C, D, E)$.

The Compression Function H of SHA-1

1 Divide M_i into 16 32-bit words: $W_0, W_1, W_2, \dots, W_{15}$.

2 for $t = 16$ to 79 compute

$$W_t = (W_{t-3} \oplus W_{t-8} \oplus W_{t-14} \oplus W_{t-16}) \lll 1.$$

Remark The one-bit rotate in computing W_t was not included in SHA, and is the only difference between SHA and SHA-1.

The Compression Function H of SHA-1 (cont.)

3 Set $(A_0, B_0, C_0, D_0, E_0) \leftarrow h_{i-1}$.

4 For $t = 0$ to 79 do

1 $T = A_t \lll 5 + f_t(B_t, C_t, D_t) + E_t + W_t + K_t$.

2 $E_{t+1} = D_t, D_{t+1} = C_t, C_{t+1} = B_t \lll 30, B_{t+1} = A_t,$
 $A_{t+1} = T$.

5 Output $A = A_0 + A_{80}, B = B_0 + B_{80}, C = C_0 + C_{80},$
 $D = D_0 + D_{80},$ and $E = E_0 + E_{80}$ (modulo 2^{32}).

6 The function f_t and the values K_t used above are:

$0 \leq t \leq 19:$	$f_t(X, Y, Z) = XY \vee (\neg X)Z$	$K_t = 5A827999$
$20 \leq t \leq 39:$	$f_t(X, Y, Z) = X \oplus Y \oplus Z$	$K_t = 6ED9EBA1$
$40 \leq t \leq 59:$	$f_t(X, Y, Z) = XY \vee XZ \vee YZ$	$K_t = 8F1BBCDC$
$60 \leq t \leq 79:$	$f_t(X, Y, Z) = X \oplus Y \oplus Z$	$K_t = CA62C1D6$

The Compression Function H of SHA-1 (cont.)

